

Overview on NIVUS Mounting Accessories

Frank Wanitzek
Product Manager

Contents

- **Mounting accessories for pipe sensors**
- **Mounting accessories for wedge sensors**
- **Mounting accessories for transit time sensors**
- **Mounting accessories for level sensors**
- **Mounting accessories for Transmitters**
- **Floats**



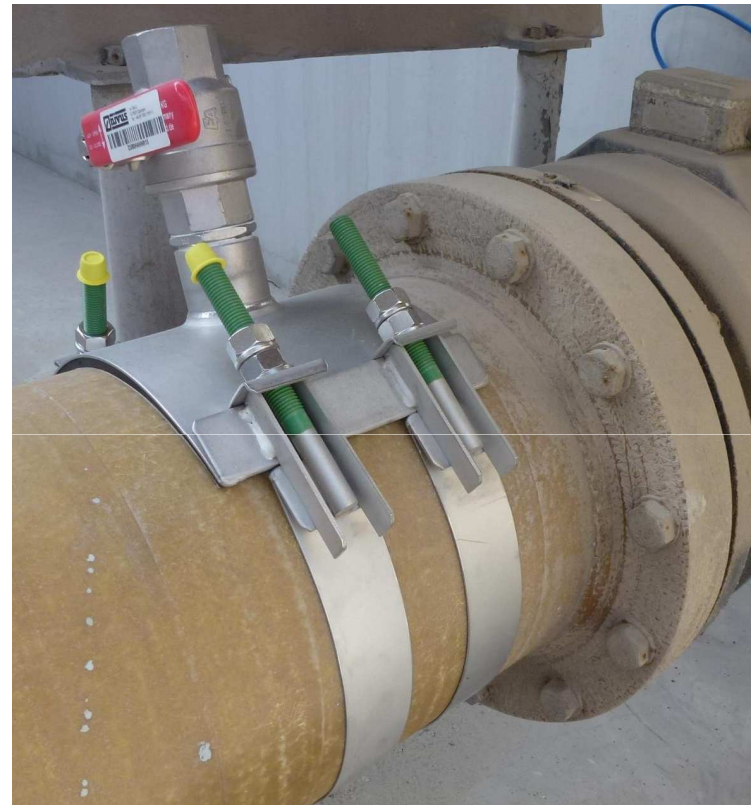
Mounting Accessories for Pipe Sensors

Mounting Accessories for Pipe Sensors

Tapping Saddle for diameters between 100 and 400 mm

Art.-No.: ZUB0ABSXXX

- For retrofitting of 1 ½" pipe sensors without welding



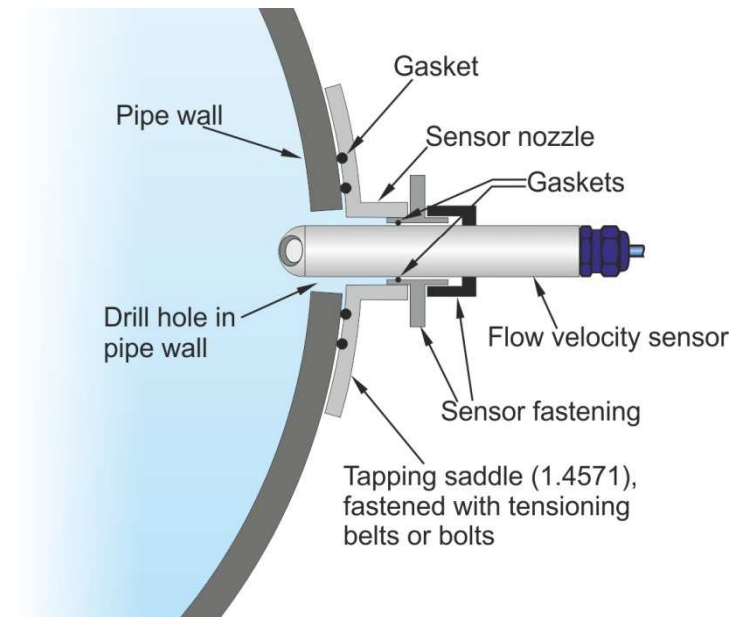
Mounting Accessories for Pipe Sensors

Tapping Saddle from 400 to 1000 mm

Art.-No.: ZUB0ABSXXX



- For retrofitting of 1 ½" pipe sensors without welding
- Consists of tensioning belts plus plate with nozzle and gasket ring



Art.-No.: ZUB0ABP15XXX



- For installation of pipe sensors in concrete or HDPE pipes starting at pipe wall strengths of 8 cm
- Available as 1 ½" and 2" versions
- 2" versions are used in pipelines which cannot be emptied (**ZUB0HAHNR20** required)

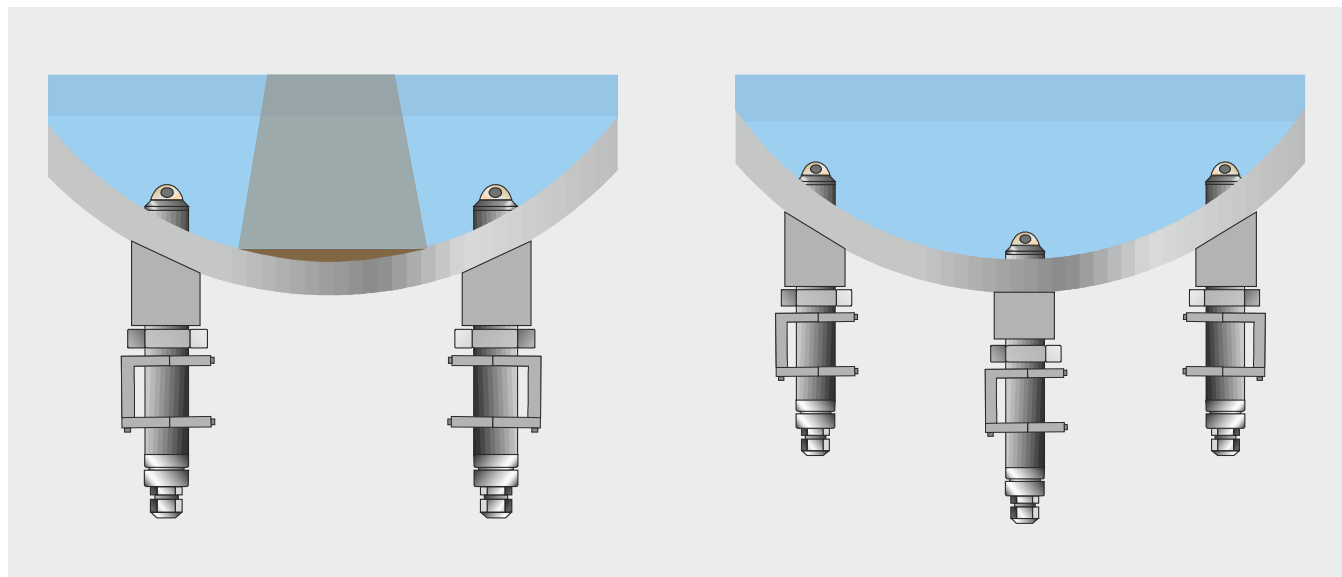


Welding Nozzles

Art.-No.: ZUB0STUXXX



- Welding nozzle for installation of 1 ½" pipe sensors in steel and stainless steel pipes, material: stainless steel 1.4571
- For 2 sensors use the 20° / for 3 sensors use the 30° version

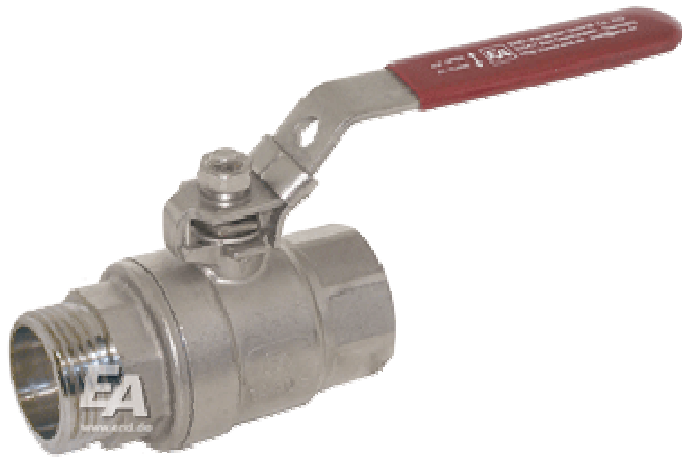


Stop Ball Valve

Art.-No.: ZUB0HAHNR15 / ZUB0HAHNR20



- To remove pipe sensors from pressureless pipelines for flow velocity sensors with 1½" screw joint
- Stop ball valve made of stainless steel with 2" outer thread and 1½" reducer, for installation of pipe sensors in 2" mounting plates



Manual Extraction Tool

Art.-Nr.: ZUB0AA



- Extraction tool for manual extension and retraction of 1 ½" pipe sensors under process conditions (not for sensor removal)
- Retractable length: approx. 150 mm
- Material: stainless steel 1.4571, brass and duralumin (outside body)

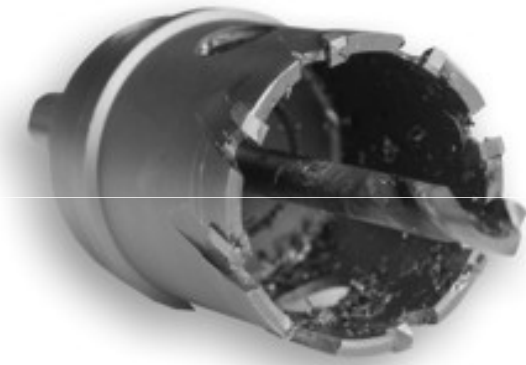
Extraction Tool II

Art.-Nr.: ZUB0AA02K



- Extraction tool for manual installation and removal of 1 ½" pipe sensors with a length of 300 mm under process conditions
- Maximum wall strength 70 mm
- Material: 1.4305; 1,4122





- Drilling without ball valve **ZUB0BOHRK38**
- Drilling through ball valve **ZUB0BOHRK36**
+ extension **ZUBOVER**
- Drill bit 36 mm "extra long", max. drilling depth 100 m **ZUB0BOHRK36XL**
- High-performance cutting paste **ZUBSCHNEID**

Mounting Accessories for Wedge Sensors

Wedge Bases

Art.-No.: ZUB0KSXXX



- Straight wedge base for elevated installation of POA/CS2 and KDA sensors in case of sedimentation
- Fastening using straps or metal sheets from the bottom
Material:
30 and 50 mm version: plastic POM
- 100/150/200 mm versions: stainless steel 1.4571

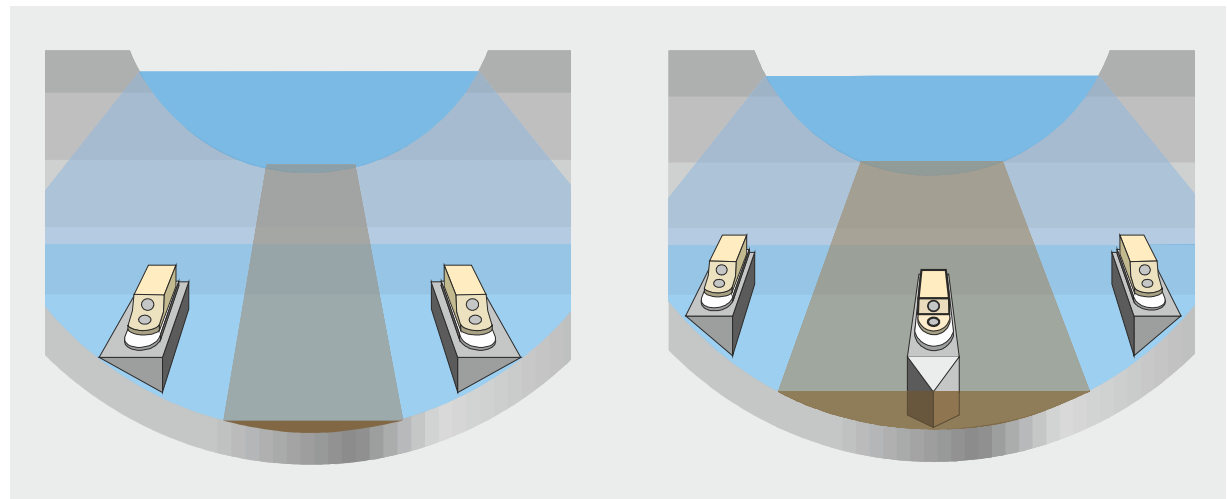


Wedge Bases

Art.-No.: ZUB0KSXXX



- Bevelled wedge base ($20^\circ / 30^\circ$) for horizontal sensor installation in pipes
- Fastening using straps or metal sheets from the bottom
- Material stainless steel 1.4571



Cable Cover Plate for Sensors

Art.-No.: ZMS0140 / ZMS1410



- Cable cover plate 1000 mm as cover for 1 sensor cable
- Bendable cable cover plate 1000 mm as cover for up to 3 sensor cables



Sensor Shield

Art.-No.: ZUB0SENSCHU1



- Sensor shield for POA and KDA wedge sensors, material: 1.4571
- Protection against stones and debris starting at 30 mm particle size
- Not suitable for use in untreated wastewater (risk of build-up)
- Incl. corrosion-proof fastening material



Art.-No.: ZUB0RMS2



- Pipe mounting system for temporary installation of wedge sensors in pipes and egg-shaped profiles from 200 to 800 mm
- Extendable to max. 1000 mm
- Material: stainless steel 1.4571



Art.-No.: ZUB0RMS3



- Pipe mounting system for temporary installation of wedge sensors in pipes from 160 to 300 mm
- Material: stainless steel 1.4571

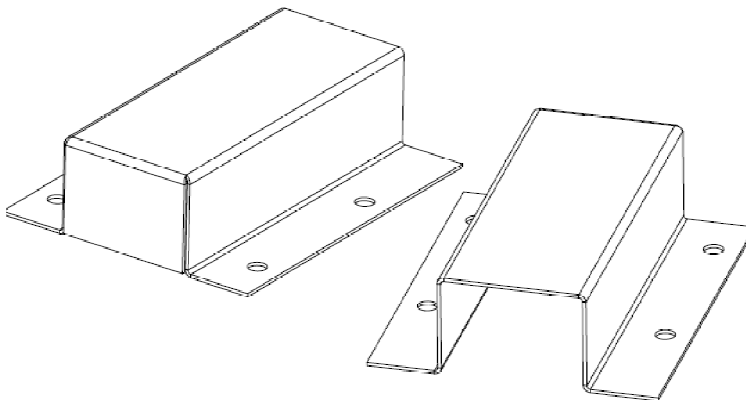
Special Accessories for Wedge Sensors

Cable Covers Wedge bases

Art.-No.: ZUB0ABDXXXV4A

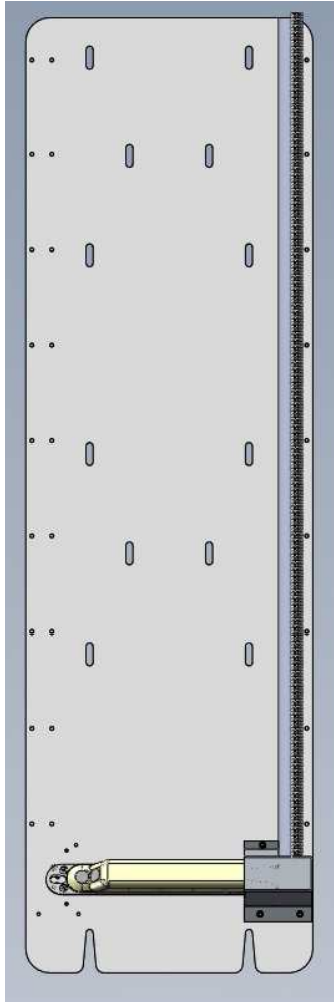


- For special projects it is possible to additionally use cable covers for wedge bases with lateral opening for corrugated tubes
- Material: stainless steel 1.4571



System Holder

Art.-No.: ZUB0HAND

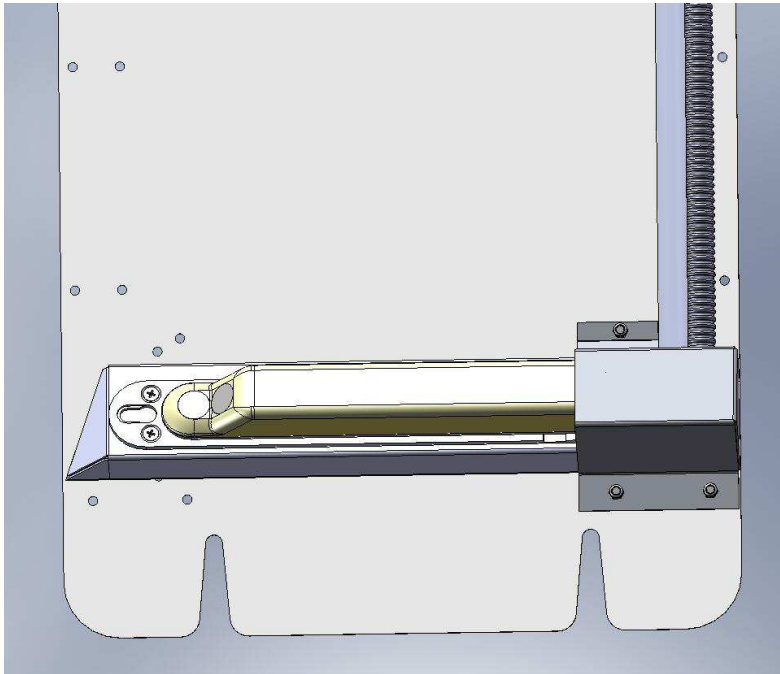


- Sensor mounting sheet for installation with lateral offset in pipes
- With sensor cover and lateral opening for corrugated tubes
- Material: stainless steel 1.4571

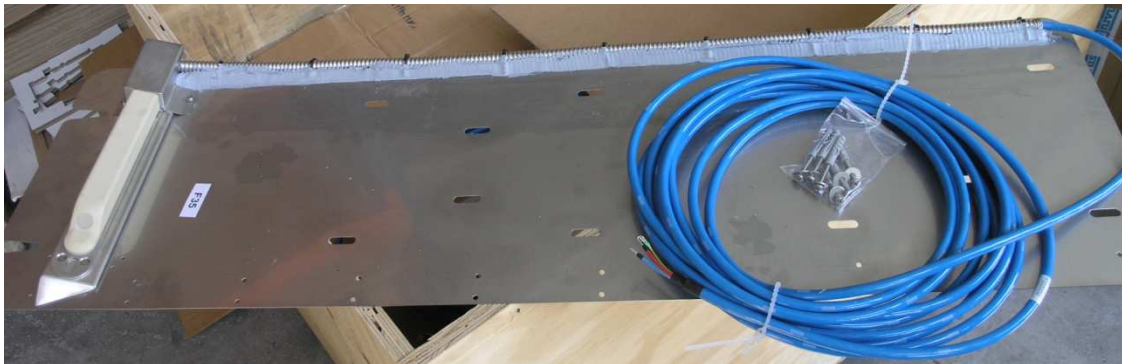
Special Accessories for Wedge Sensors

System Holder with Wedge base

Art.-No.: ZUB0HAND

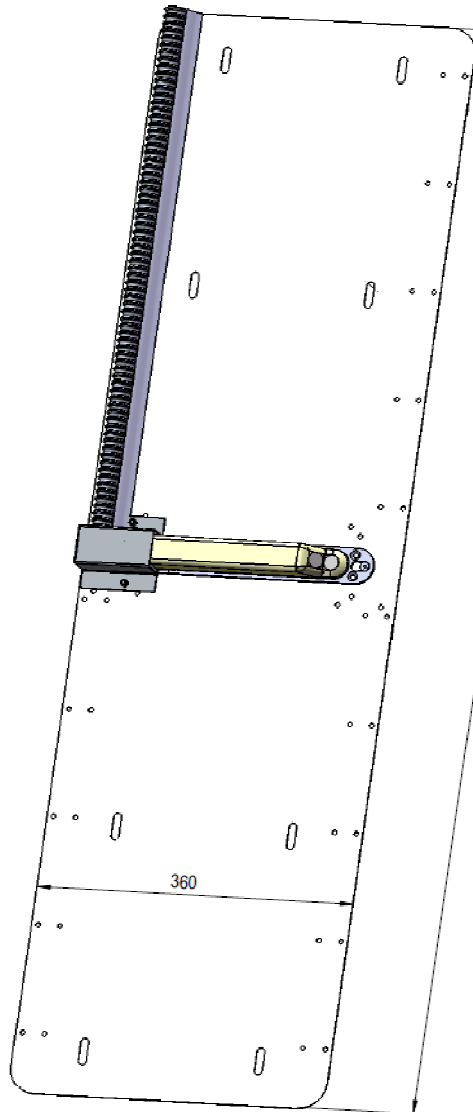


- Sensor mounting sheet for installation of wedge sensors with lateral offset in pipes
- With sensor cover, wedge base and lateral opening for corrugated tubes
- Material: stainless steel 1.4571



System Holder

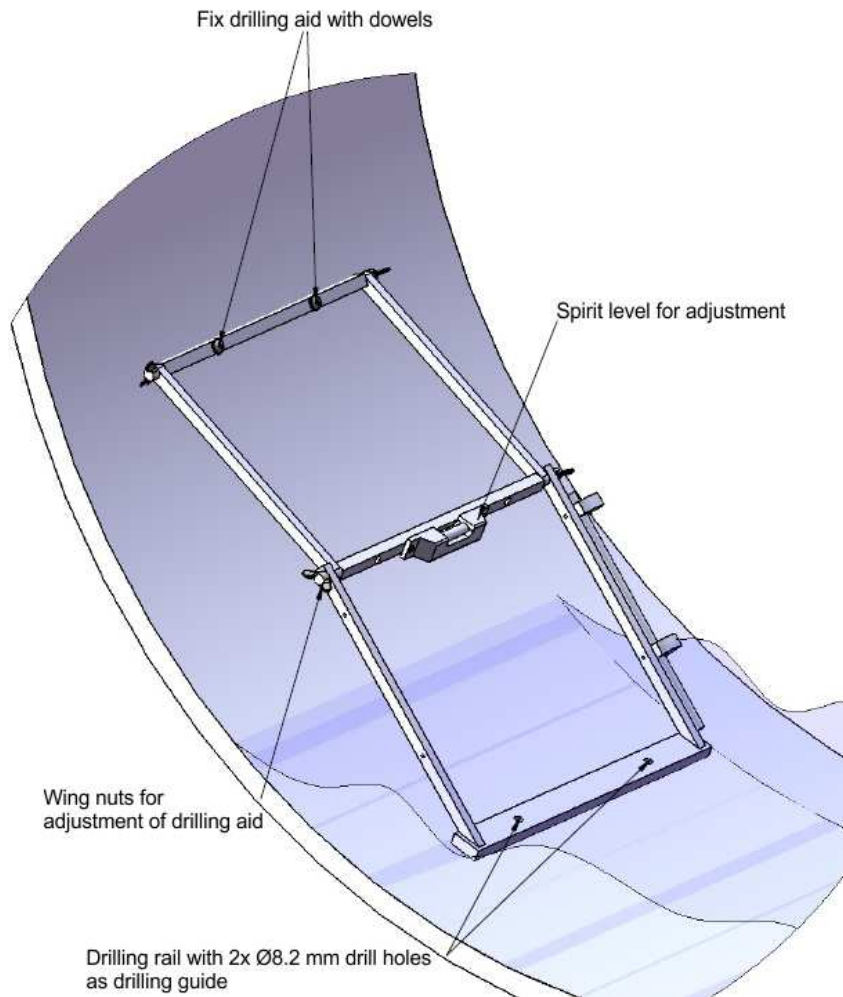
Art.-No.: ZUB0HAND



- Sensor mounting sheet for centred installation of wedge sensor in pipes
- With sensor cover and lateral opening for corrugated tubes
- Material: stainless steel 1.4571

Drilling Aid

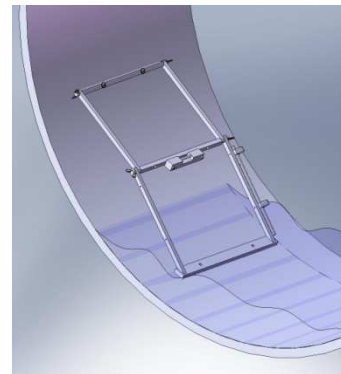
Art.-No.: ZUB0HAND



Drilling aid for underwater positioning of drill holes

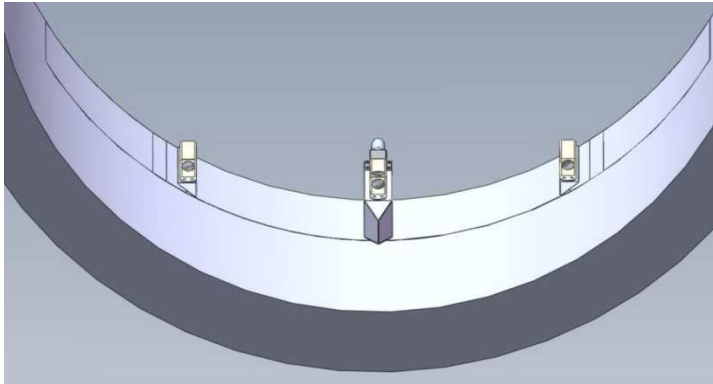
With spirit level for horizontal adjustment

Material: stainless steel 1.4571

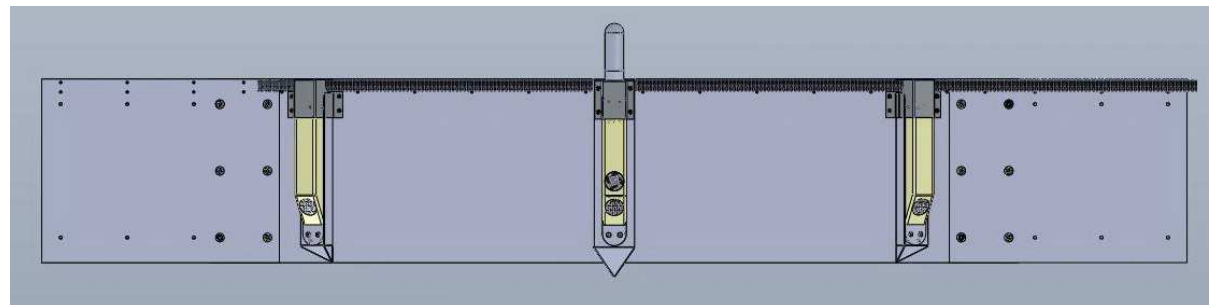


System Holder

Art.-No.: ZUB0HAND



- Sensor mounting sheet for installation of wedge sensors in pipes
- With sensor cover, wedge base and lateral opening for corrugated tubes
- Material: stainless steel 1.4571

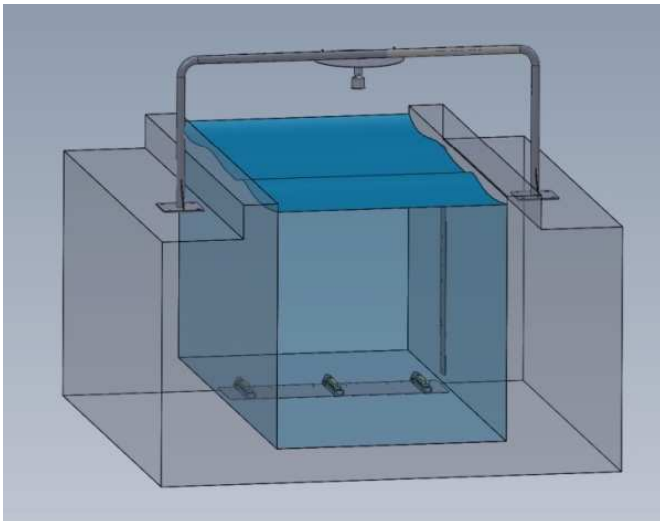


Fastening Sheet

Art.-No.: ZUB0HAND



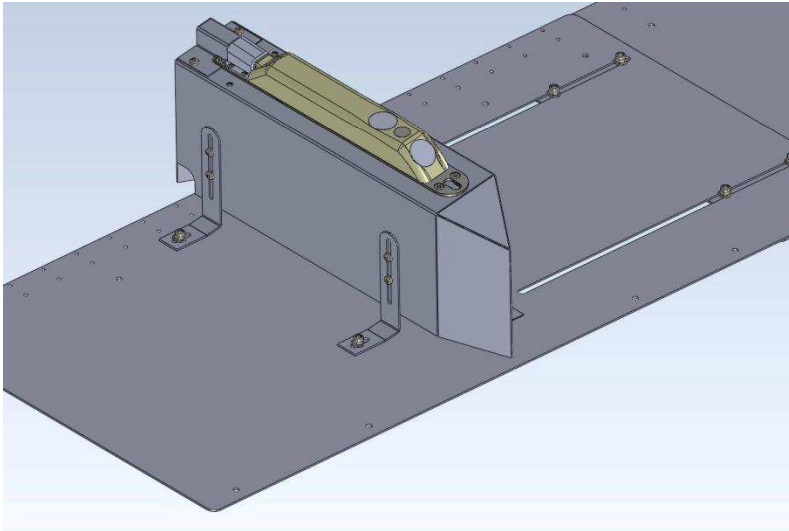
- Fastening sheet for wedge sensors in rectangular channels
- Material: stainless steel 1.4571



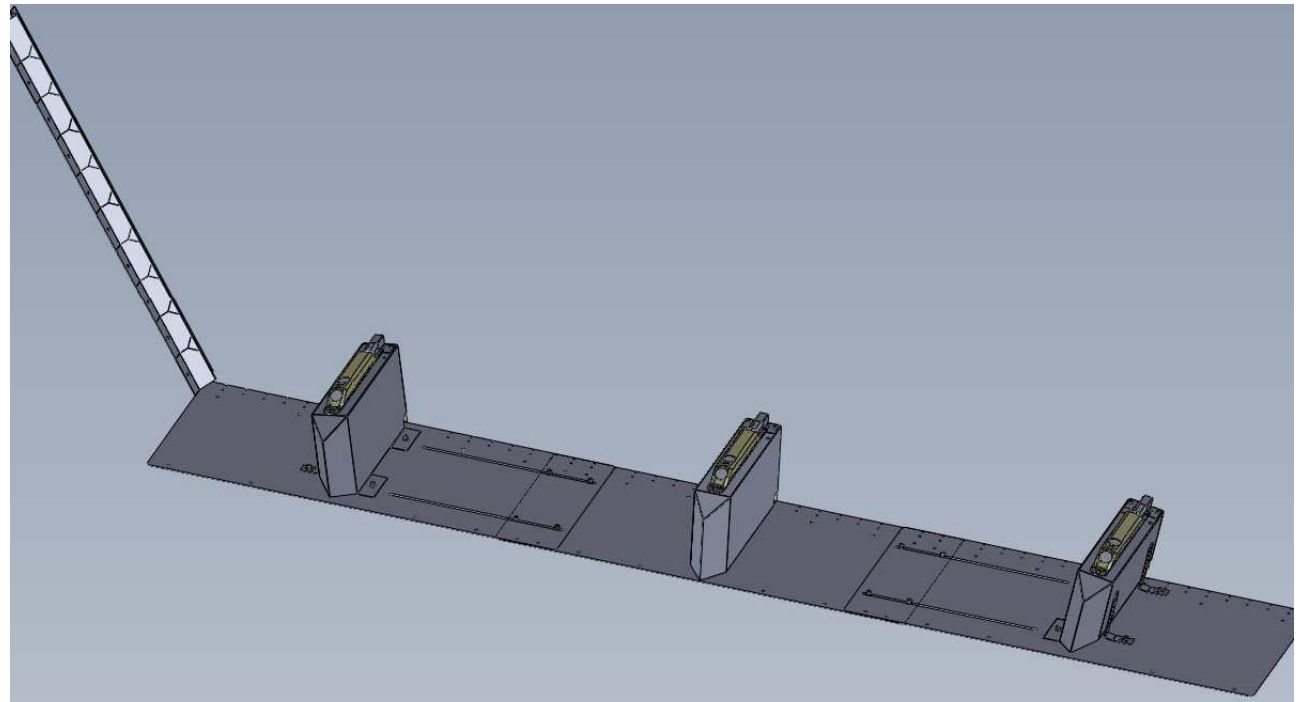
Special Accessories for Wedge Sensors

Adjustable Fastening Sheets

Art.-No.: ZUB0HAND



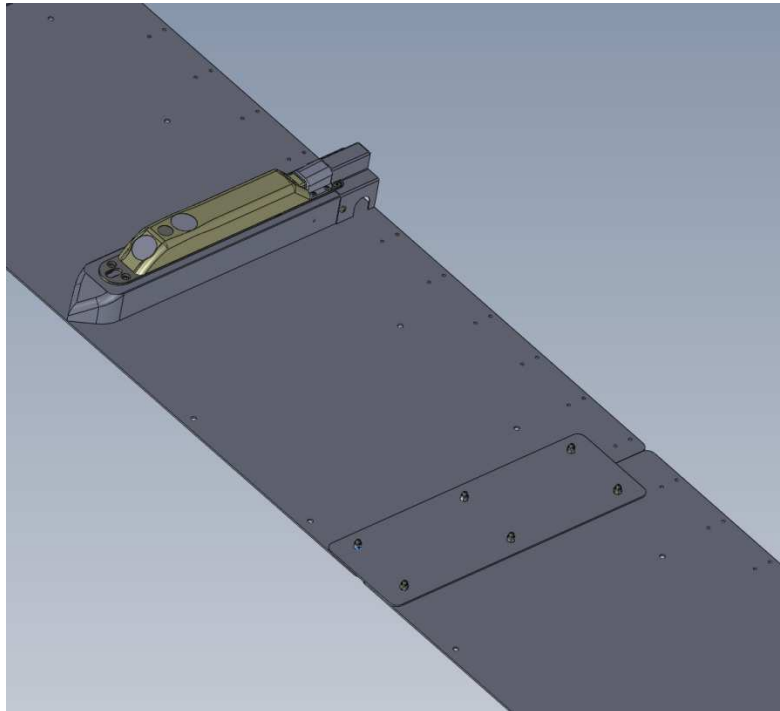
- Adjustable fastening sheets with adjustable wedge bases (10 – 25°)
- Material: stainless steel 1.4571



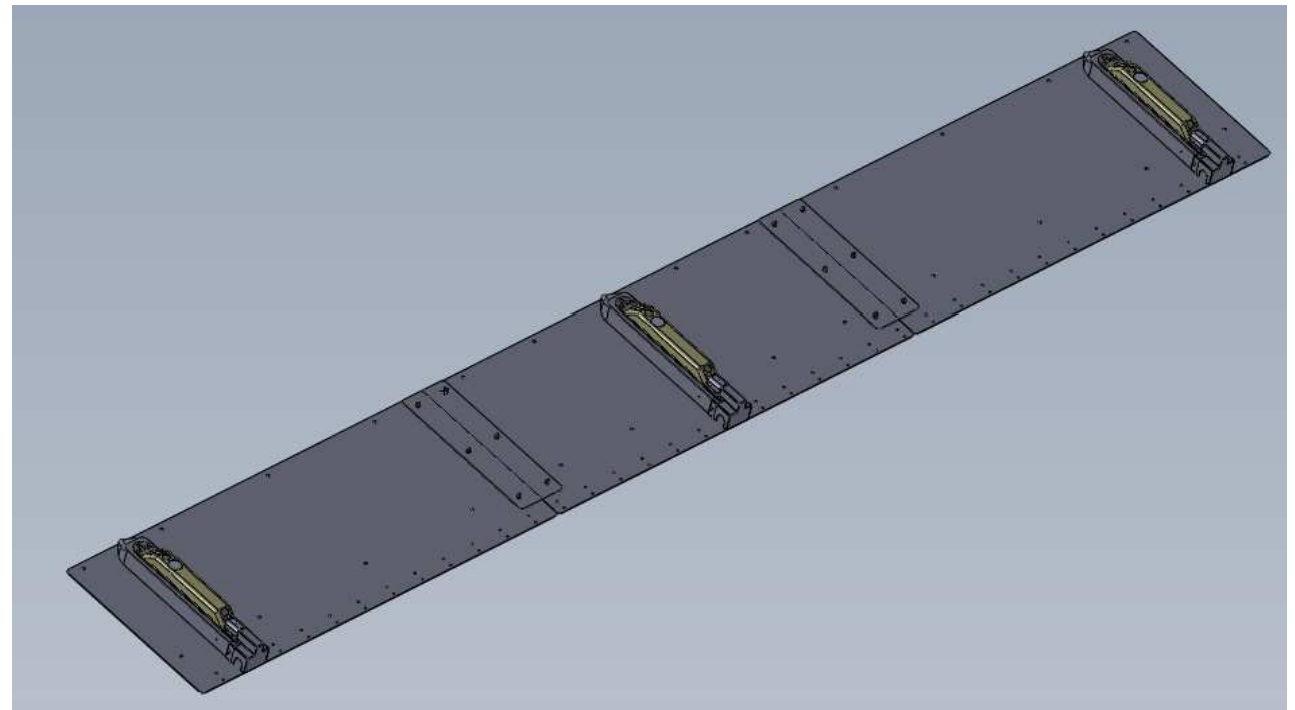
Special Accessories for Wedge Sensors

Adaptable Fastening Sheets

Art.-No.: ZUB0HAND



- Adaptable fastening sheets for wedge sensors in rectangular channels
- Material: stainless steel 1.4571



Wedge Bases

Art.-No.: ZUB0HAND

- Straight wedge base for elevated installation of POA sensors in case of sedimentation



Mounting Accessories for Transit Time Sensors

Holder Brackets for Rod Sensors

Art.-No.: NOZ00HAL0



- Holder bracket for rod sensor fastening on vertical walls
- Flow-optimised protective cover **NOZ0SRTB**
- Material: stainless steel 1.4571

Holder Brackets for Rod Sensors

Art.-No.: NOZ00HAL90



- Holder bracket for rod sensor fastening on a horizontal surface
- Material: stainless steel 1.4571

Holder Brackets for Hemisphere Sensors

Art.-No.: NOZ00HALHK



- Holder bracket for fastening of hemisphere sensors on counterforts
- Material: stainless steel 1.4571



Welding nozzle for Screw-In Sensors



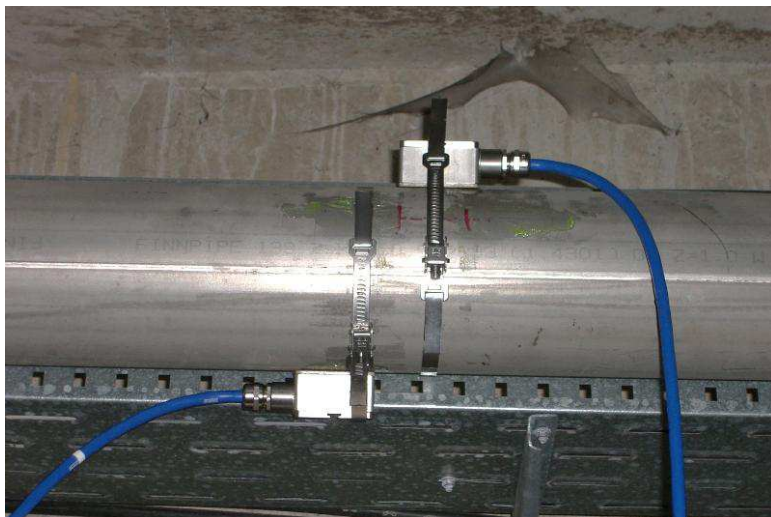
- Welding nozzle for installation of 1¼" screw-in sensors in steel and stainless steel pipes, material: stainless steel 1.4571 **ZUB0STU14V4A**
- Welding nozzle for installation of 1¼" screw-in sensors in steel and stainless steel pipes, material: steel **ZUB0STU14ST**

Tensioning Belts for Clamp-On Sensors

Art.-No.: ZUB0SPYS08

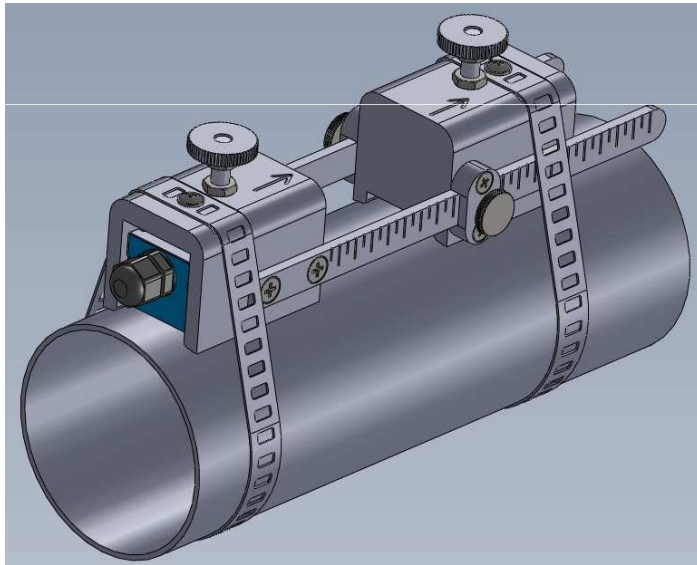


- Clamping system consisting of tensioning belt, width 8 mm, length 10 m incl. 2 turnbuckles
- For permanent installation of clamp-on sensors



Mounting Rail for Clamp-On Sensors

Art.-No.: ZUB0CORAIL



- Rail system for clamp-on sensors with tensioning belts
- Includes two replaceable spacer rails: diameters 100 - 250 mm and 100 – 500 mm
- Ideal as positioning aid and for sensor maintenance
- Material: Aluminium

Mounting Accessories for Level Sensors

Ceiling Mount for Ultrasonic Sensors

Art.-No.: ZMS0100



- Ceiling mount for one level sensor
- For P- and i-Series sensors with 1" thread
- Material: stainless steel 1.4571



Wall Mounting Angle for Ultrasonic Sensors

Art.-No.: ZMS0102 / ZMS0108 / ZMS0109

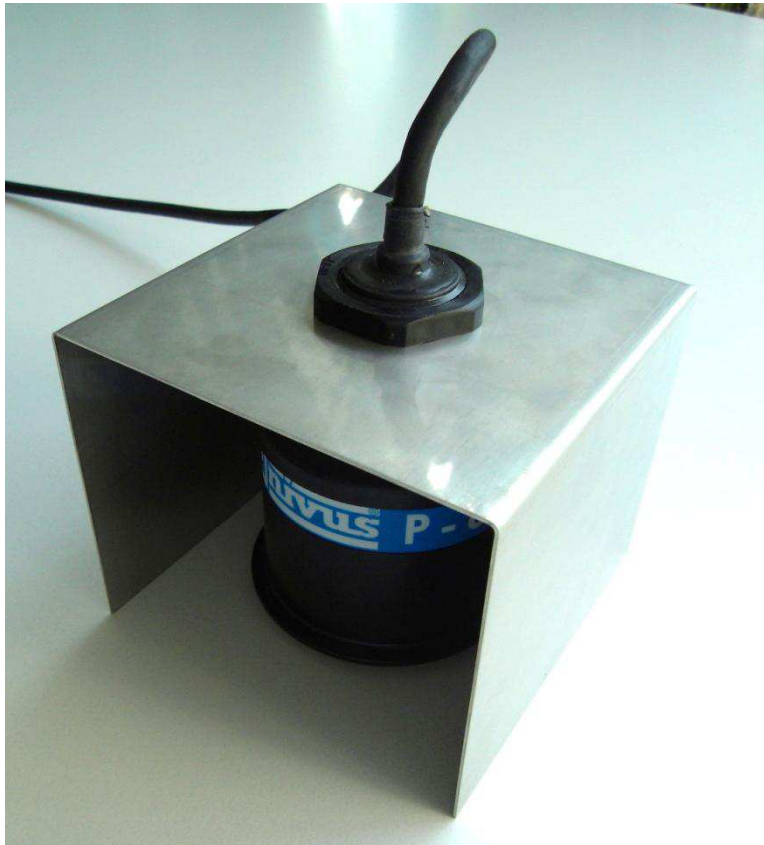


- Wall mounting angle for sensors, material: stainless steel 1.4571
- For P- and i-Series sensors with 1" thread
- Available lengths: 30, 60 and 90 cm



Weatherproof Cover for Ultrasonic Sensors

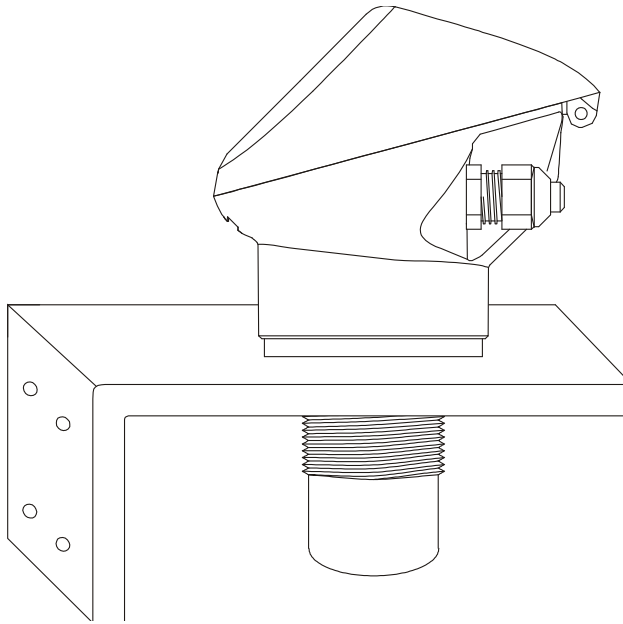
Art.-No.: ZMS0191



- Weatherproof cover for sensors with 1" thread
- Successor to ZMS0190
- Material: stainless steel 1.4571

Wall Mounting Angle for Ultrasonic Sensors

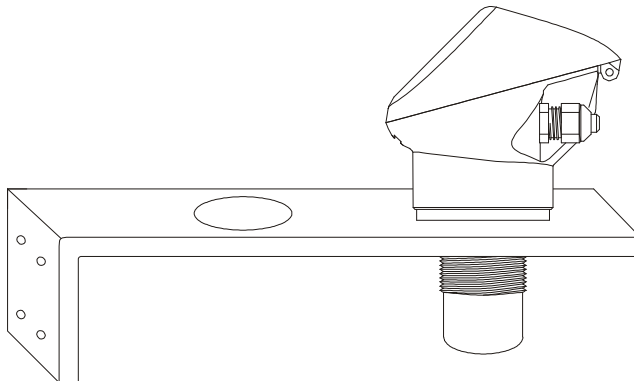
Art.-No.: ZMS0120



- Wall mounting angle for compact echo sounder R2", material: stainless steel 1.4571
- Distance wall-sensor centre: 185 mm

Wall Mounting Angle for Ultrasonic Sensors

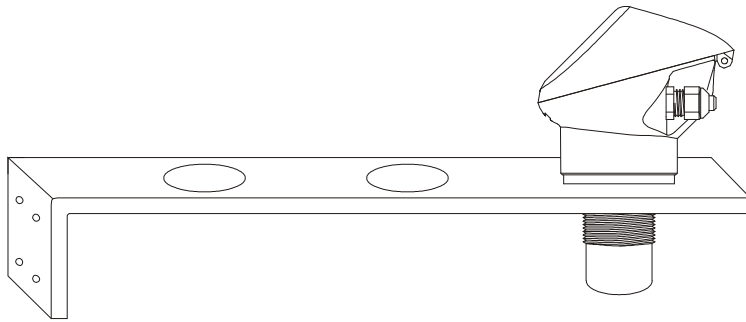
Art.-No.: ZMS0121



- Wall mounting angle for compact echo sounder R2", material: stainless steel 1.4571
- Distance wall-sensor centre: 332 mm or 480 mm

Wall Mounting Angle for Ultrasonic Sensors

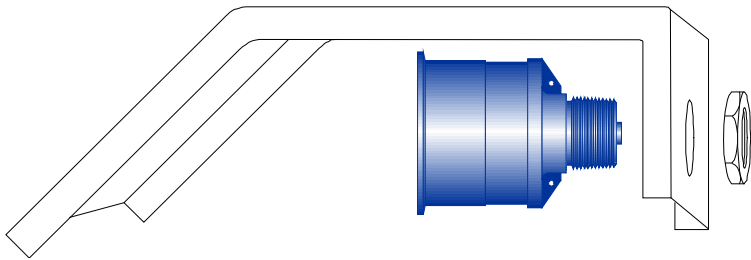
Art.-No.: ZMS0123



- Wall mounting angle for compact echo sounder R 1.5" or R2", material: stainless steel 1.4571
- Distance wall-sensor centre: 450 mm, 650 mm or 805 mm

Angled Reflector for Ultrasonic Sensors

Art.-No.: ZMS0130



- Angled reflector for sensors, material: stainless steel 1.4571
- For P- and i-Series sensors with 1", 1,5" and 2" thread



Mounting Accessories for Level Sensors

Pendular Suspension for Ultrasonic Sensors

Art.-No.: ZMS01340 / ZMS01350



- Pendular suspension for sensors, material: stainless steel 1.4571
- For P- and i-Series sensors with 1" and $\frac{3}{4}$ " thread



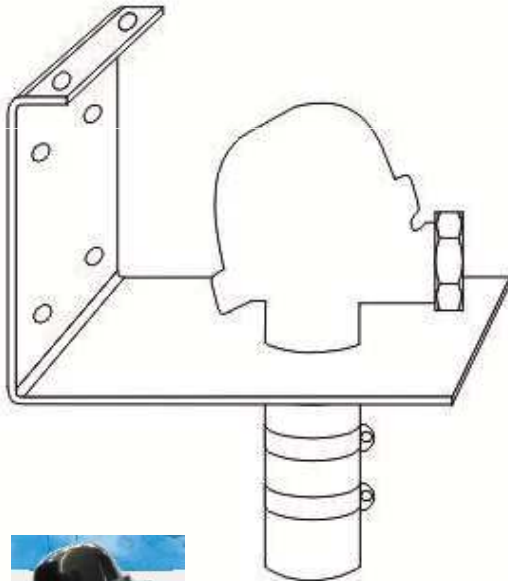
Art.-No.: ZMS0131



- Wall mounting angle for conductive rod sensors R1.5" and compact echo sounder 3/6, material: stainless steel 1.4571
- Distance wall-sensor centre: 185 mm

Wall Mounting Angle for Pressure Bell Switch

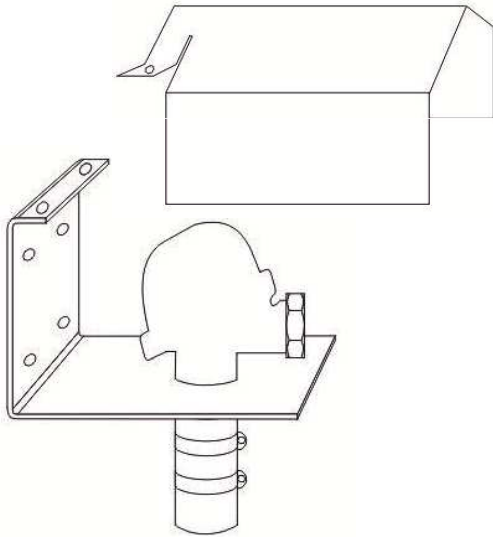
Art.-No.: ZMS0132



- Wall mounting angle for pressure bell switch T202, T208, material: stainless steel 1.4571
- Distance wall-sensor centre: 83 mm



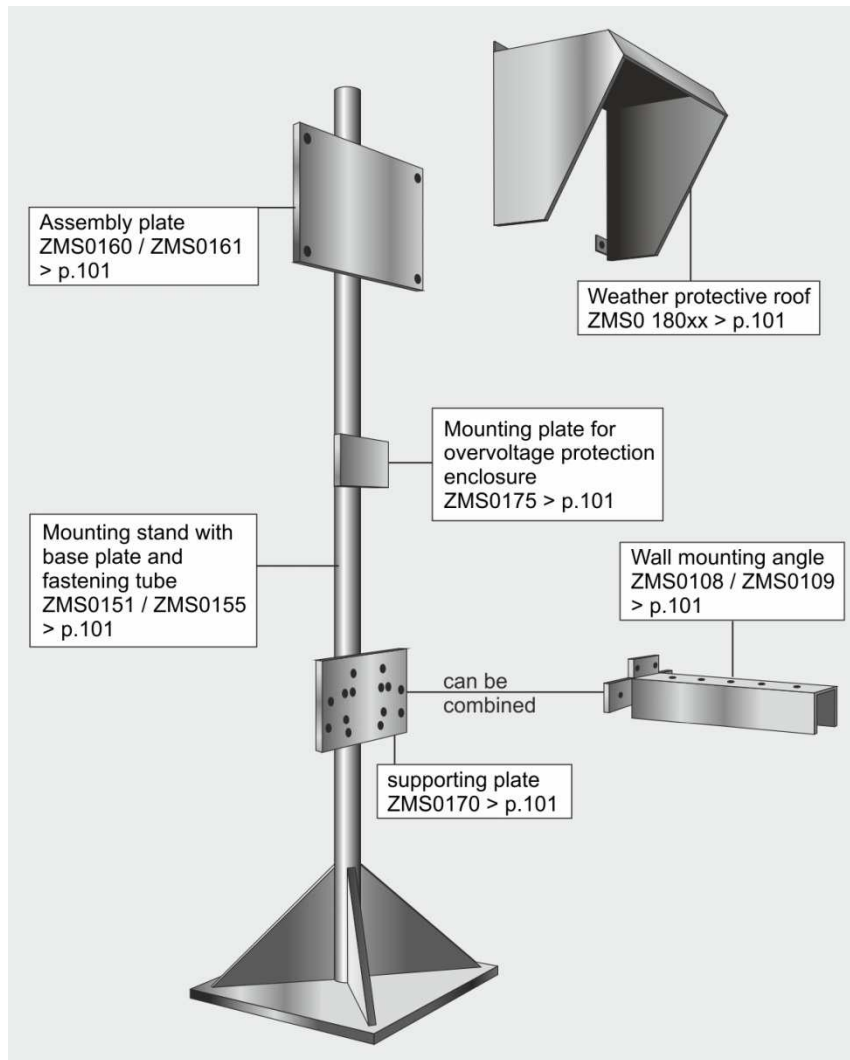
Art.-No.: ZMS0133



- Wall mounting angle with weatherproof cover for pressure bell switch T202, T208, material: stainless steel 1.4571
- Distance wall-sensor centre: 83 mm

Mounting Accessories for Transmitters

Mounting Stand for Transmitters



- Mounting plate for one wall mount enclosure W0, WB or VB **ZMS0160**

Alternative:

Mounting plate for two wall mount enclosures W0, W10, WB or VB **ZMS0161**

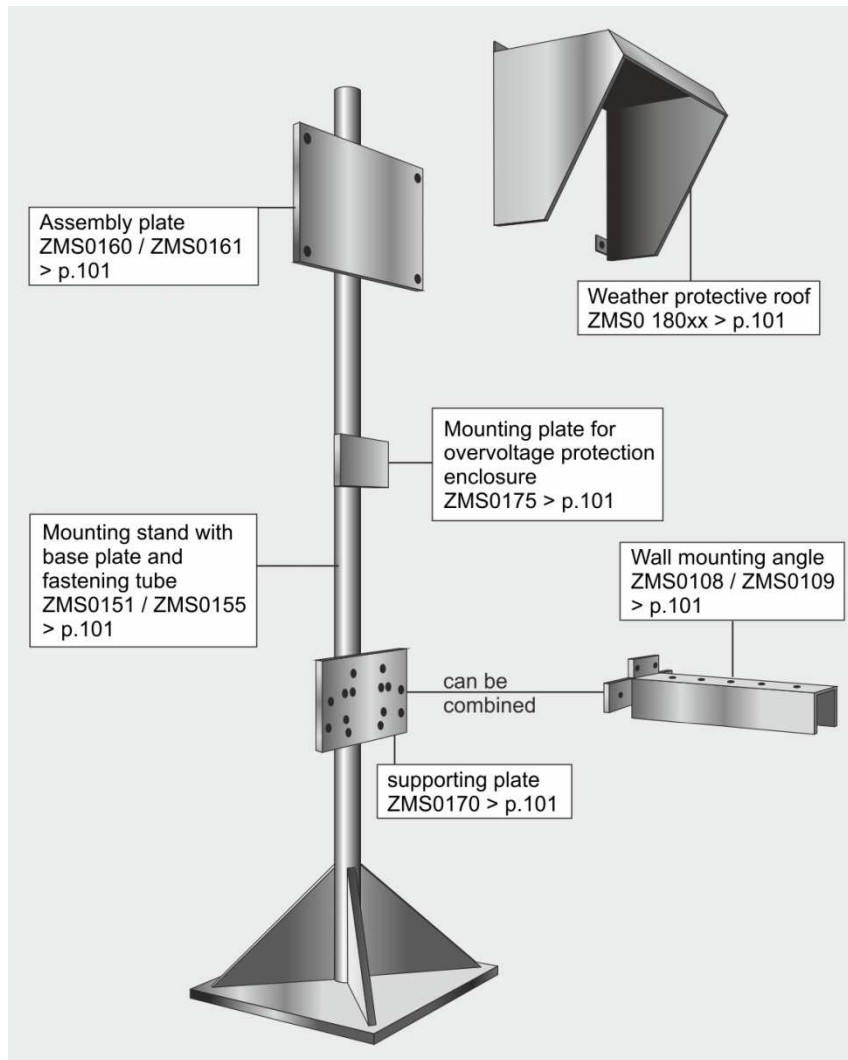
- Mounting stand, height: 1700 mm, material: 1.4301 (V2A) **ZMS0151**

Alternative:

Mounting stand, height: 650 mm, material: 1.4301 (V2A) **ZMS0155**

- Supporting plate for fastening of mounting angle type ZMS 108 **ZMS0170**

Mounting Stand for Transmitters



- Weather protective roof for ZMS 160 **ZMS0180**, material: 1.4301 (V2A)

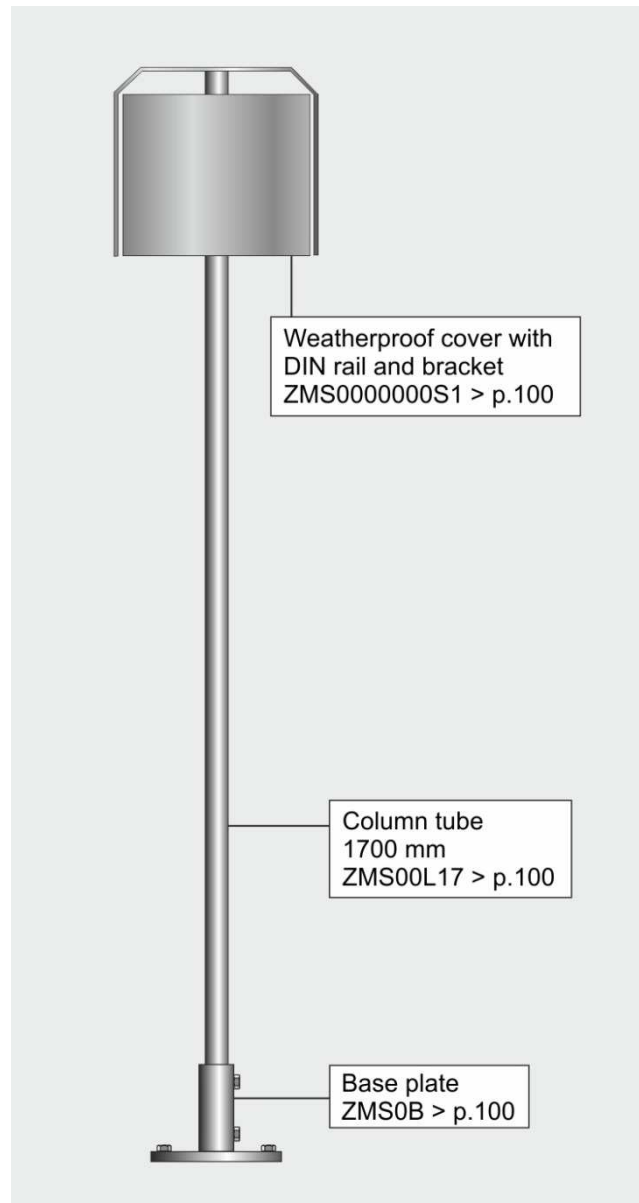
Alternative:

Weather protective roof for ZMS 161 **ZMS0181**, material: 1.4301 (V2A)

Weather protective roof for ZMS 160/W0 enclosure **ZMS0182**, material: 1.4301 (V2A)

- Mounting plate for overvoltage protection enclosure **ZMS0175** , material: 1.4301 (V2A)

Mounting Stand for Transmitters



- Column tube 1700 mm **ZMS0L17**

Alternative:

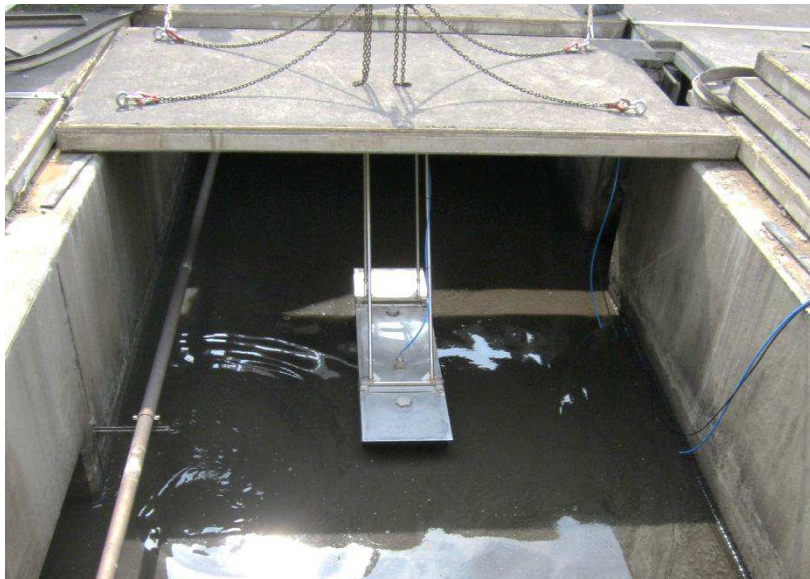
- Column tube 500 mm **ZMS0L05**

- Weatherproof cover with DIN rail and bracket **ZMS0000000S1**
- Base plate **ZMS0B000**

Floats for Measurements down from the Water Surface

Float

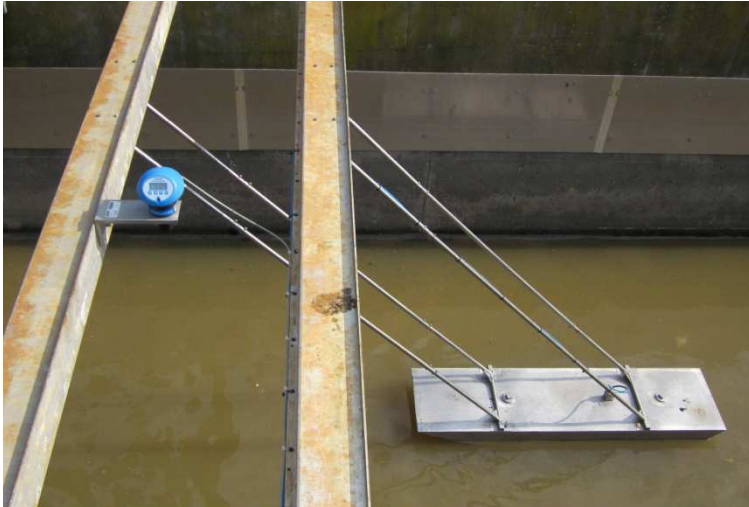
Art.-No.: ZUB0SWK030R / ZUB0SWK040R



- Float body made of stainless steel 1.4571, float width 300 mm for use in channels starting at widths of 800 mm **ZUB0SWK030R**
- Float body made of stainless steel 1.4571, float width 400 mm for use in channels starting at widths of 1200 mm **ZUB0SWK040R**
- Holder for POA/CS2 pipe sensor, length 20 cm
- Minimum water level (without sediments): 20 / 30 cm; recommended maximum flow velocity: 100 cm/s

Float Holder

Art.-No.: ZUB0SWHA30D / ZUB0SWHA30W / ZUB0SWHA40D / ZUB0SWHA30W



- Holder for float bodies with 300 or 400 mm width
- For vertically movable fastening of float bodies on horizontal ceilings, crossbeams or on walls
- 4-point suspension, length 2000 mm, can be shortened to any length
- Material: stainless steel 1.4571

A large rectangular area with a blue header bar at the top, followed by several horizontal lines in alternating shades of light blue and white, serving as a template for notes.